



APPLICATION GUIDE

3D Printing Soft Tissue for Gingiva Mask Implant Models

3D printed soft tissue models are becoming a requirement for fabricating implant supported prosthetics as these workflows become digital. Using soft, flexible, and clear Flexible 80A Resin as a base, healthcare professionals can now 3D print soft tissue parts in dark, medium, or light pink shades with our three-part color kit.

Contents

Introduction	3
1. Add Pigment to Flexible 80A Resin.....	4
2. Scan	8
3. Design.....	9
4. Print Setup.....	10
5. Post-Process	14

Introduction

This application guide walks through the process of making and 3D printing soft tissue and gingiva mask parts for dental implant models.

Note: The following pigment recommendations are optimized for printing opaque models up to the size of full arch dental implant masks. To print larger models or medical visualization models that require translucency, pigment ratios must be lowered for print reliability and optimized application-based aesthetics.

Workflow Requirements

Needed From the Dentist

Digital impression of the patient's dentition

Required Hardware, Software, and Materials

Made by Formlabs

- Form 3B or Form 2 3D printer
- Form 3 Resin Tank V2 or Form 2 Resin Tank LT or higher
- Build Platform
- Form Wash
- Form Cure
- Finish Kit or secondary wash station (optional)
- Flexible 80A Resin
- White, Yellow, and Magenta Color Pigments

Made by Third Parties

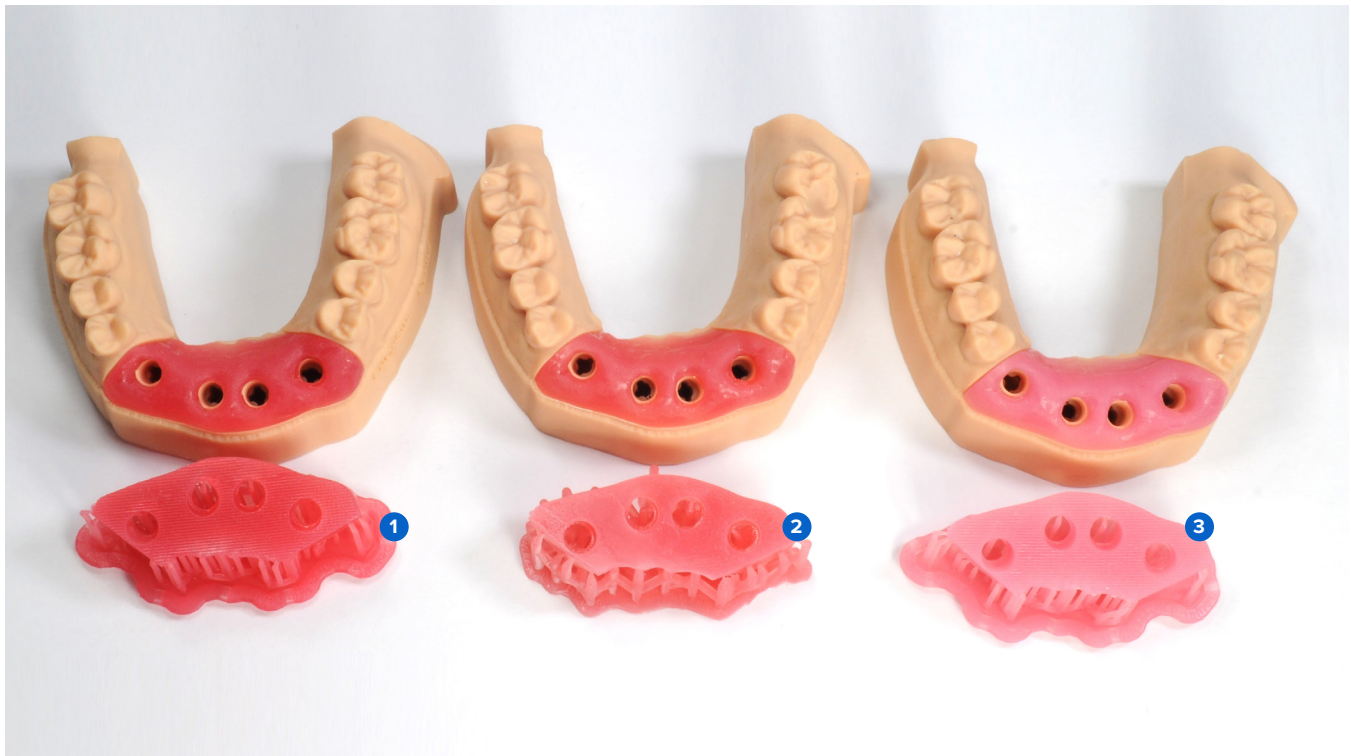
- Dental model building software
- Cutting tools
- Low-speed dental handpiece with finishing tools
- Isopropyl alcohol (IPA) \geq 90%

Required Software

- PreForm 3.10 or higher
- Firmware 1.8 or higher
- Dental design software or outsourcing to a dental design provider

1. Add Pigment to Flexible 80A Resin

Adding pigment to Flexible 80A Resin allows you to tailor the color and opacity of your final printed model.



1 Dark (Dark Pink) **2** Medium (Orange Pink) **3** Light (Light Pink)

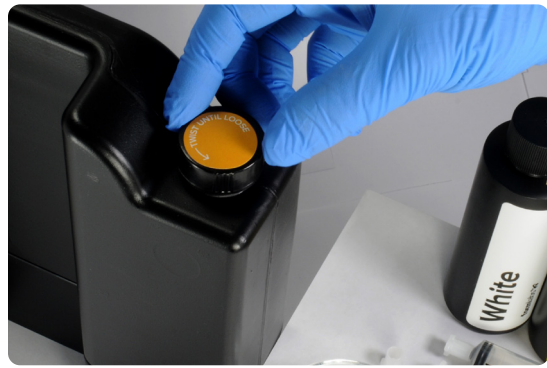
1.1 Creating Soft Tissue Resin requires the following supplies:

- 1 liter of Flexible 80A Resin
- White, Yellow, and Magenta Color Pigments
- Disposable nitrile gloves
- Container or cup

Unpack the Color Kit components (1 bottle each of Magenta, Yellow, White Color Pigments and 3 x 10 mL syringes) and the cartridge of Flexible 80A Resin.



-
- 1.2 Remove cap from the Flexible 80A Resin cartridge.



-
- 1.3 Remove 40 mL of the resin from the Flexible 80A cartridge using a glass cup or container and one of the provided 10 mL syringes.



-
- 1.4 To use the syringes with different resins or pigments, pull the plunger from the body of the syringe and rinse with fresh isopropyl alcohol (IPA). Repeat if necessary.



- 1.5 Follow the instructions on the Color Kit packaging to measure the recommended volume of each pigment with a designated 10 mL syringe and dispense into a resin cartridge. For more details, refer to the Color Kit instructions on our support site.



SHADE	PREPARED CARTRIDGE (ML)	WHITE (ML)	YELLOW (ML)	MAGENTA (ML)	TOTAL VOLUME (ML)
Light (Light Pink)	960	25	5	10	1000
Medium (Orange Pink)	960	15	10	15	1000
Dark (Dark Pink)	960	10	10	20	1000

-
- 1.6 Replace the cap on the cartridge and shake the cartridge vigorously for 5 minutes, rotating occasionally.

It is ideal to let the cartridge settle for 30 minutes and shake for an additional 5 minutes.

After mixing, the cartridge is now ready to print soft tissue or gingiva mask models.



Note: For faster mixing, use a dental stirring rod or spatula to mix the pigment with resin in the cartridge.

Note: The initial resin dispensed from the cartridge bite valve is not an indicator of uniform mixing.

-
- 1.7 Cap all pigment bottles and syringes for reuse. Record remaining volume of each pigment on the designated location on the bottle label.

Store the pigment bottles and capped syringes in the Color Kit's resealable packaging.

The pigments ratios can be modified to customize soft tissue model shades.

Note: For optimal performance and accuracy, 40 mL of total pigment volume is recommended. If a higher volume of pigments is needed, make sure the printed parts meet the performance needs of your desired application.



2. Scan

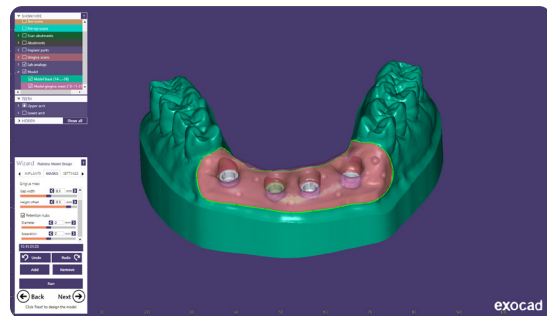
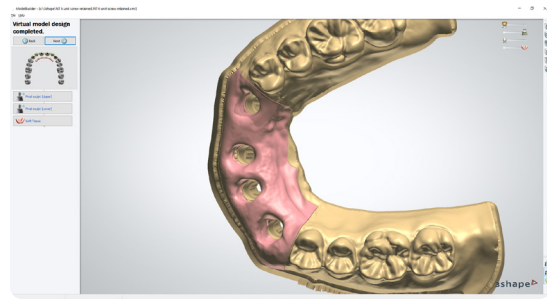
Dental design software requires a digital impression of the patient's implant using a scan flag or body in order to design an implant model with a gingiva mask. To acquire this data, scan the patient directly with a 3D intraoral scanner.

3. Design

3.1 Design the Model with Gingiva Mask or Soft Tissue

General CAD construction requirements:

- For accurate anatomy, a minimum wall thickness of 0.4 mm is recommended.
- Start with the default settings in 3Shape or ExoCAD.
- Retention elements:
 - 3Shape: design with undercuts on the mesial and distal of the implant site(s).
 - ExoCAD: design with retention nubs with a diameter of 2 mm and separation of 2 mm.



3.2 Export the STL File

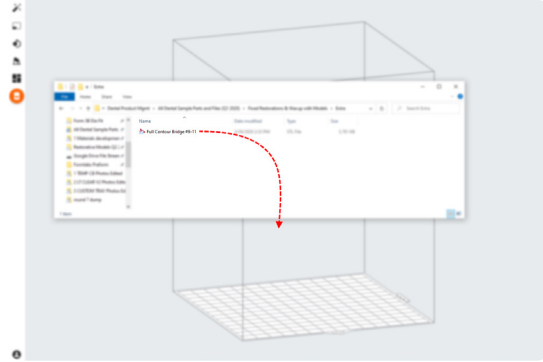
Once the case has been designed to specification, manufacturing can begin. The majority of dental design software generates a manufacturing file in STL format. Locate the file and open it in PreForm print preparation software.

4. Print Setup

Note: Use PreForm version 3.10 or higher and firmware 1.8 or higher.

4.1 Import the File(s)

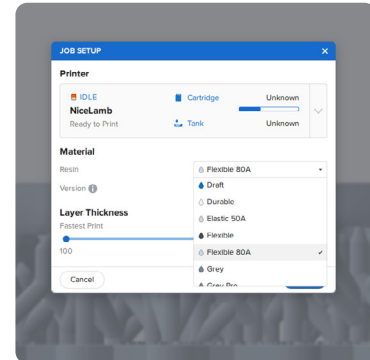
Import or open the design file(s) by dragging them into PreForm or opening them using the **File** menu and locating them on your computer or network.



4.2 Select Material

Select the material for printing by clicking the printer box in the **Job Info** menu on the right-hand side.

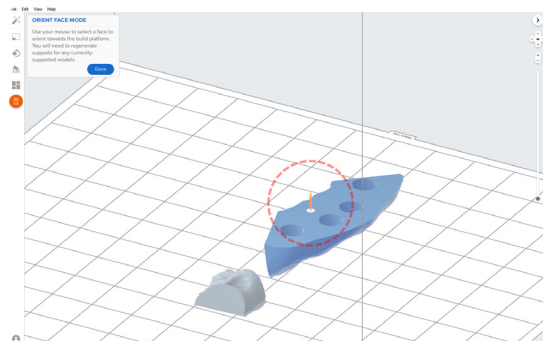
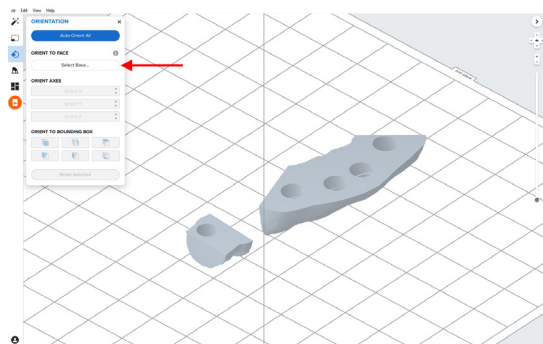
Select **Flexible 80A** in the resin dropdown menu.



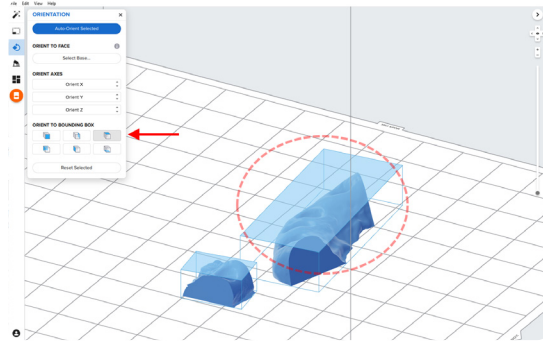
4.3 Orientation

Start by snapping the bottom of the part down to the build platform.

Open the **Orientation** menu, click **Select Base...**, and click on the flat bottom surface of the part.

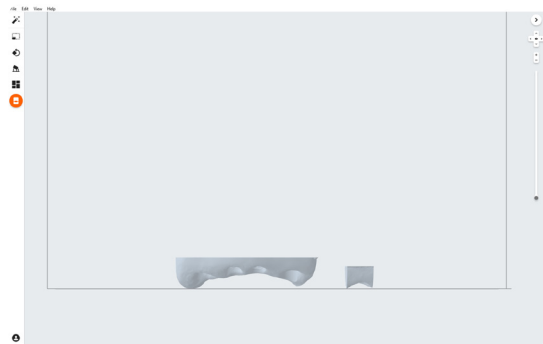
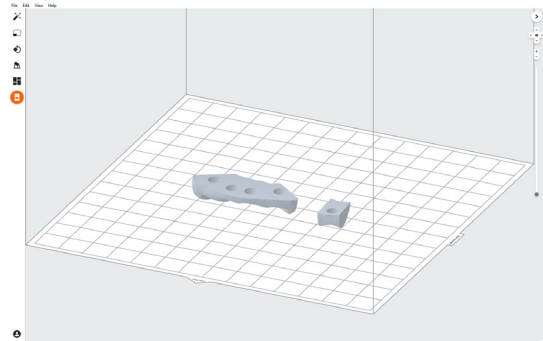


To easily rotate the part by 180 degrees, hover over the **Orient to Bounding Box** buttons within the **Orientation** tool. Select the button that will rotate the part so that the occlusal surface is facing toward the build platform.



This process ensures that the bottom flat surface of the soft tissue model is parallel with the build platform, resulting in a high quality print.

You can also achieve this using PreForm's manual rotation tools.



4.4 Generate Supports

4.4.1 Automatic Support Generation

Open the **Supports** tool on the left side of PreForm and click the **Auto-Generate Selected** or **Auto-Generate All** button to automatically generate supports.

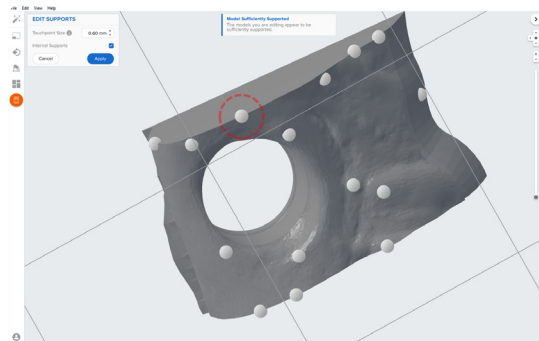
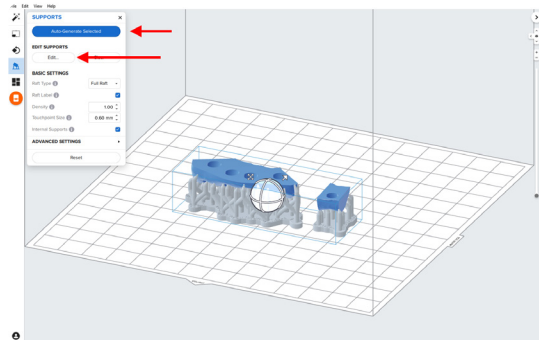
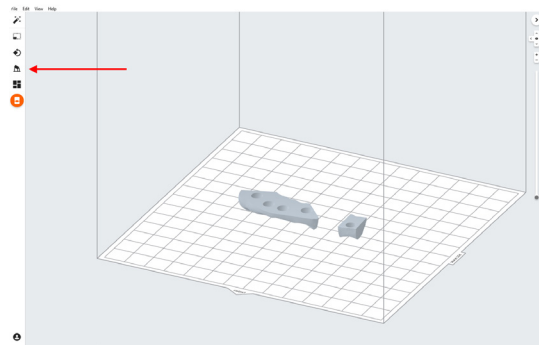
4.4.2 Manual Support Editing

If an automatically generated support point is not in an ideal location, move it by clicking the **Edit...** button within the **Supports** tool.

If possible, move supports from critical anatomy of the gingiva mask and the edges of the part.

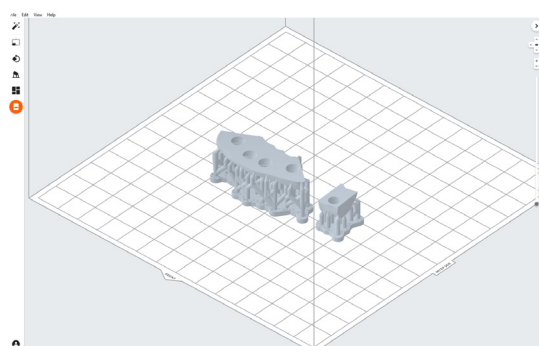
PreForm will indicate in red which areas might require additional support.

Confirm under the **Job Info** menu bar on the right side of the screen that **Printability** shows a green thumbs-up.



4.5 Print Layout

Example of a job with an ideal layout.

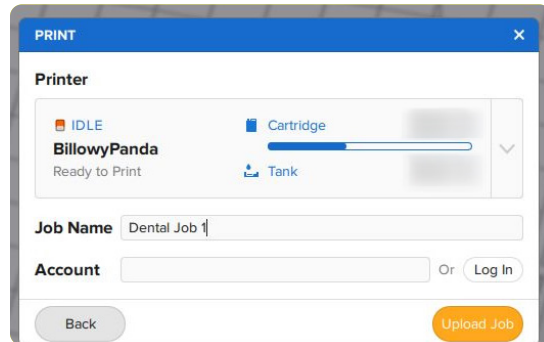
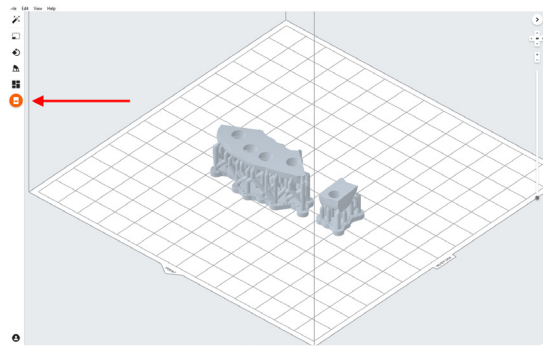


4.6 Transfer the Job to the Printer

Send the job to the printer by clicking the orange printer icon on the left side of the screen.

The **Print** dialog box will open to select the printer.

Click the orange **Upload Job** button to begin the transfer of the job to the desired printer.



4.7 Set Up the Printer

Shake the Flexible 80A Resin cartridge, then insert the cartridge, a build platform, and a compatible resin tank into the Form 3B or Form 2 printer.

- Begin printing by selecting the print job from the printer's touchscreen.
- Follow any prompts or dialogs shown on the printer screen.
- The printer will automatically complete the print.



5. Post-Process

Always use gloves when handling uncured resins and parts.

5.1 Part Removal

Remove printed parts from the build platform by wedging the part removal or scraping tool under the part raft and rotating the tool.



5.2 Wash

Precautions

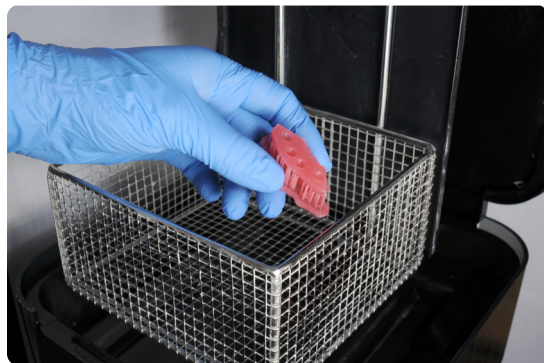
- When washing the printed part with solvent, ensure a properly ventilated environment with proper protective masks and gloves.
- Expired or unused Flexible 80A Resin shall be disposed of in accordance with local regulations.
- Isopropyl alcohol (IPA) shall be disposed of in accordance with local regulations.

Place the printed parts in a Form Wash filled with isopropyl alcohol (IPA, $\geq 90\%$) and wash them for 10 minutes.

A second 10 minute wash in fresh isopropyl alcohol (IPA, $\geq 90\%$) is required. This wash can be completed either manually in a Finish Kit bucket or in a second Form Wash.

Make sure the parts are fully submerged in IPA when washing.

Exceeding wash duration may affect dimensional accuracy and performance of printed parts over time.



5.3 Drying

Remove the parts from the IPA and leave them to air dry at room temperature for at least 30 minutes.

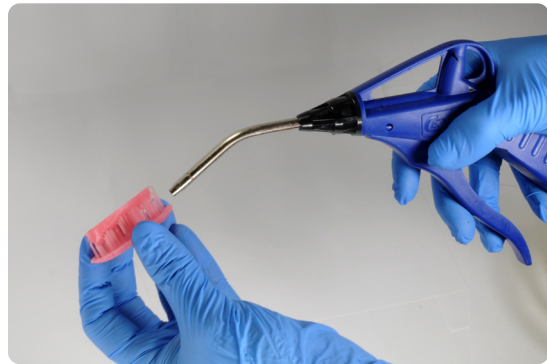
Compressed air can also be used to dry parts with 5 minutes of bench drying after.



5.4 Inspect printed parts to ensure that parts are clean and dry.

No residual alcohol, excess liquid resin, or residue particles must remain on surface before proceeding to subsequent steps.

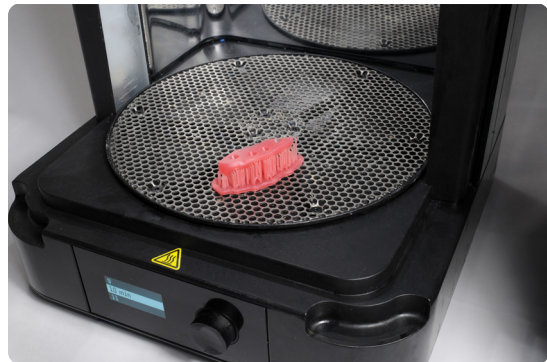
If any wet, uncured resin is still present after drying, use a squeeze bottle with fresh IPA to remove uncured resin and then air dry the parts again.



5.5 Post-Cure

Place the dried printed parts in a Form Cure and post-cure them at 60 °C for 10 minutes.

Variation in time and temperature can cause color change.



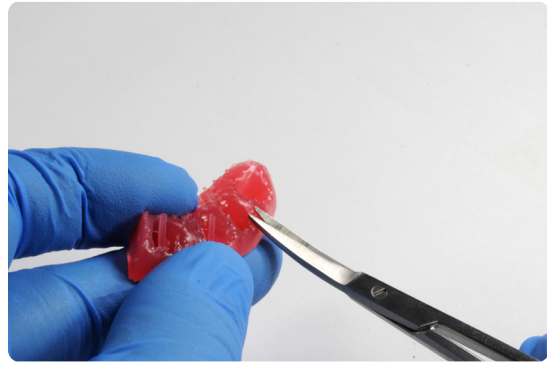
5.6 Remove Supports

Remove supports using the clippers provided in the Formlabs Finish Kit or scissors.

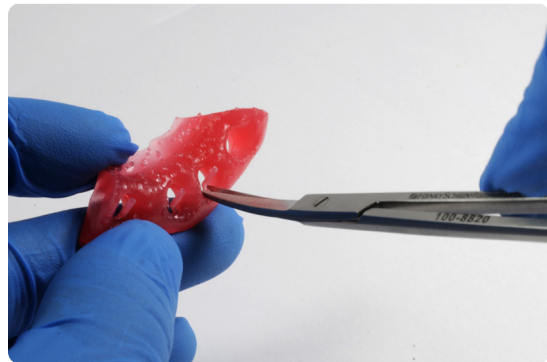
Note: While ripping the supports from the part might be quicker, it can leave divots in the part. We recommend cutting the supports off individually.



Small, sharp scissors can be used to cut the supports closer to the part as a second step.



To remove supports on internal areas, we highly recommend using curved iris scissors.

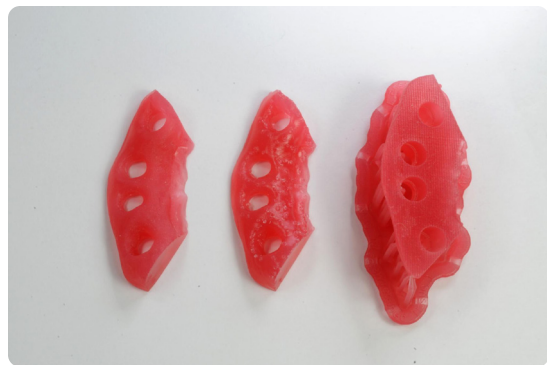


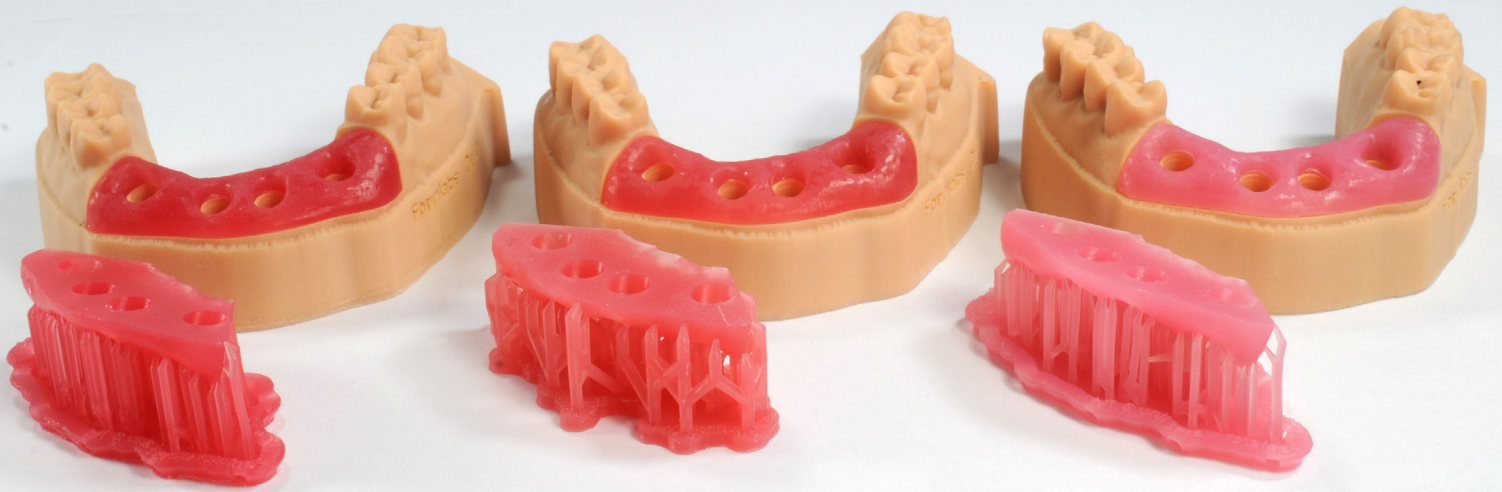
5.7 Finish

If any rough marks are left on the surface of the 3D printed gingiva mask after support removal, smooth down the support surfaces with a medium grit wheel or carbide rotary and handpiece to improve appearance and finish.



From right to left: gingiva mask on supports, supports cut, finished gingiva mask.





We hope this consistent, validated workflow for 3D printing gingiva mask models in Soft Tissue Resin expands your digital capabilities and allows you to confidently check implant prosthetics by adding removable soft tissue components to your model production